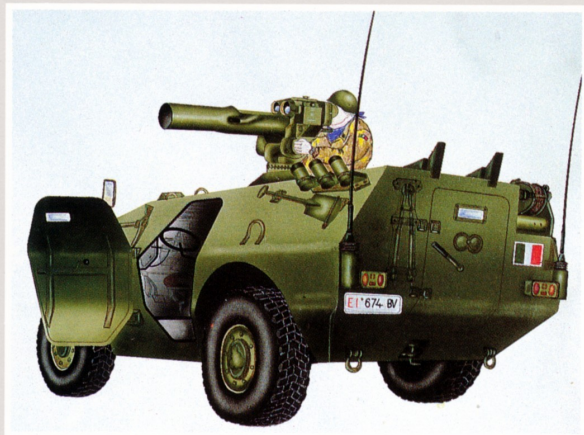
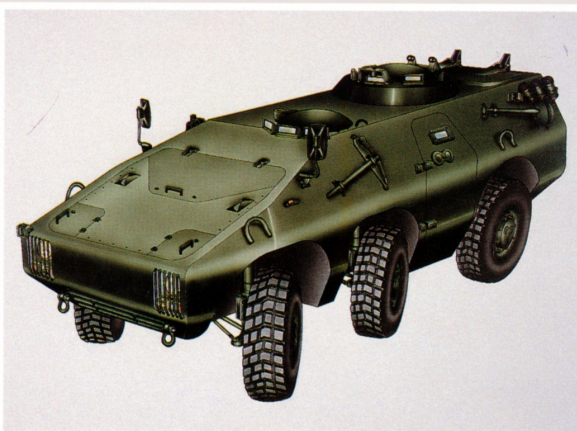
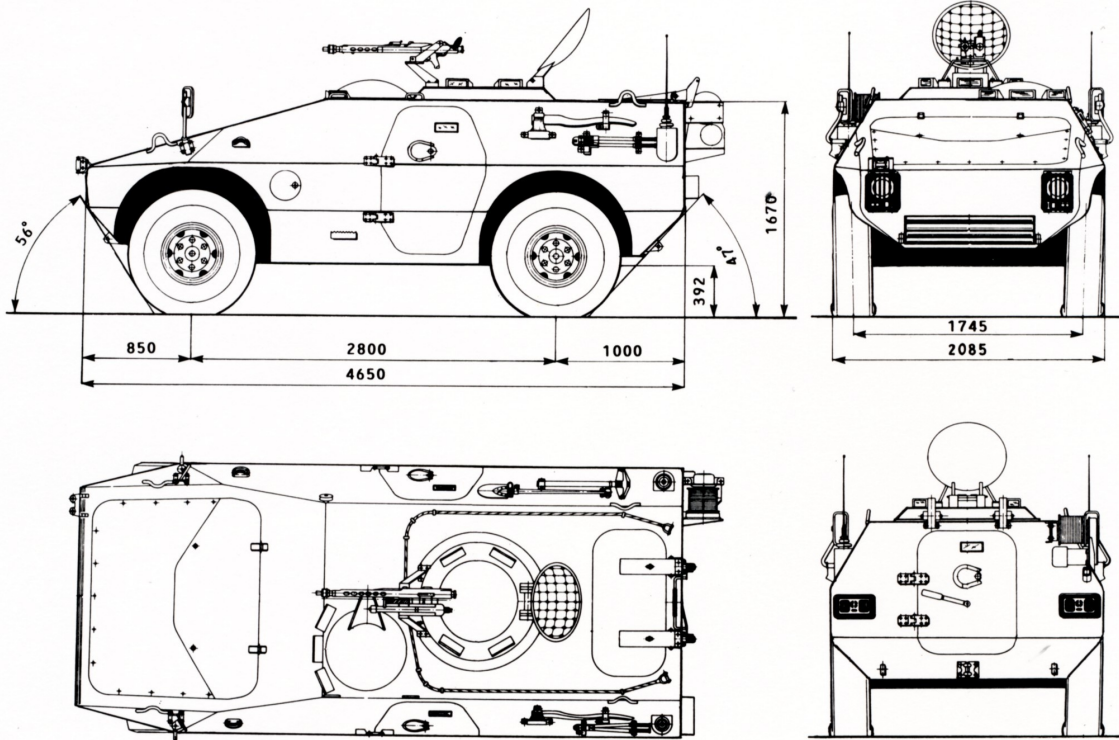


Consorzio Iveco Fiat - Oto Melara



«PUMA»









APC «PUMA»

The «PUMA» is a light 4x4 or 6x6 multipurpose armoured vehicle designed for roles like:

- **Armoured Personnel Carrier** armed with an automatic weapon
- **Reconnaissance** armed with an automatic weapon and equipped with suitable radio sets
- **Anti - tank** armed with ATGW
- **Air defence** armed with light SAM

Furthermore the «PUMA» is suitable for roles like: mortar carrier, internal security, ambulance, etc.

Technical data (APC)	4x4	6x6
Crew	6 + 1	8 + 1
Combat weight	5,5 ton	7,5 ton
Hull length	4650 mm	5000 mm
Height		
- Hull top	1670 mm	1700 mm
- Ground clearance	392 mm	380 mm
Total width	2085 mm	2300 mm
Trak	1745 mm	1970 mm
Wheelbase	2800 mm	1450 + 1750 mm
Turning radius	6 m	7,5 m
Tyres	11.00 - 16 (run flat type)	
Engine: - Power	132 Kw (180 H.P.) at 3000 r.p.m.	
- Max torque	500 Nm (51 Kgm) at 1600 r.p.m.	
Gear box	5-speed fully automatic + reverse gear	
Braking system	4 self - ventilating disks	6 self - ventilating disks
Suspensions	Independent hydropneumatic	
Max speed	over 105 km/h	
Range	800 km	
Gradient	> 60%	
Side slope	> 30%	
NBC protection		
Fire - Extinguishing		
Integrated air conditioning		



Consorzio Iveco Fiat-Oto Melara

Via Vincenzo Bellini, 22
Telefono (06) 859004 - Fax 853701
00198 Roma, Italy

IVECO-FIAT S.p.A. Defence Vehicles Division - Via A. Volta, 6
39100 Bolzano (ITALY) - Tel. (0471) 905111 - Tlx 400541 LANCIA I - Telefax (0471) 200818

OTÓ MELARA S.p.A. - Via Valdilocchi, 15
19100 La Spezia (ITALY) - Tel. (0187) 530111 - Tlx 270368 OTO I - TELEFAX (0187) 530669

Publication 88012 - Printed in Italy 07.89 - Grafiche Manfrini S.p.A.

This description is purely indicative and in no way binding.

I dati riportati si intendono puramente indicativi e non vincolanti.

Los datos mencionados se entienden puramente indicativos y sin compromiso.

Les caractéristiques ne sont données qu'à titre indicatif, avec droit de le modifier sans préavis.